

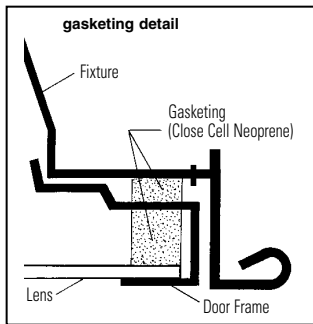
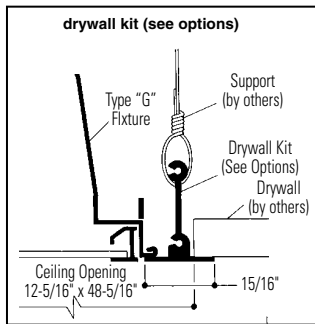
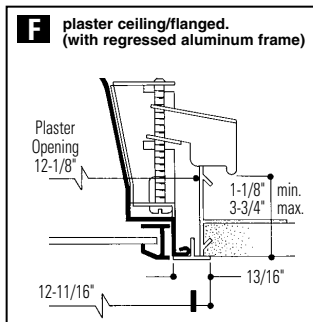
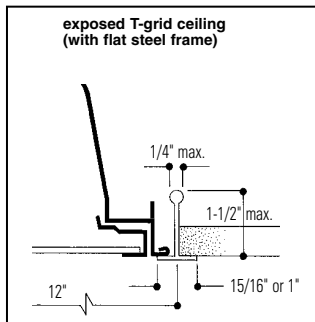
CLEANGUARD WET LOCATION **WES SERIES 1X4**

Features

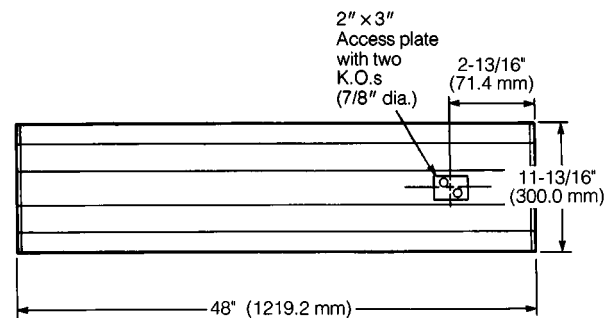
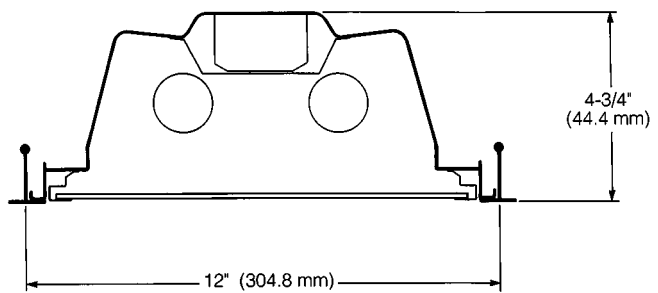
- UL and C-UL Listed for wet or damp locations for covered ceiling use.
- Full perimeter gasketing (closed cell Neoprene) between door frame and lens, between housing and door frame.
- Door frame is post painted, baked acrylic enamel.
- 4-3/4" deep body.
- 64.6% efficient (T8).
- Turned up edges for safe handling.
- Fixture ends turned-in for safe handling.
- Mitered corner steel lens frame.
- Spring loaded rooster head latches.
- 18 gauge steel hinges.
- Flat and regressed aluminum doors available.



MOUNTING METHODS



DIMENSIONS



Job Information

Type:

Job Name:

Cat. No.:

Lamp(s):

Volts/Ballast:

Lightolier a Genlyte Thomas Company

www.lightolier.com

Technical Information: (978) 657-7600 • Fax (978) 658-0595

631 Airport Road, Fall River, MA 02720 • (508) 679-8131 • Fax (508) 674-4710

We reserve the right to change details of design, materials and finish.

© 2002 Genlyte Thomas Group LLC (Lightolier Division)

A0902

SECTION 6/Folio N30-10

LIGHTOLIER®



CLEANGUARD WET LOCATION WES SERIES 1X4

PHOTOMETRY

MODEL NO. WES1GFSVA232

LER = FL - 48.3 IW - 80.0 BF - 0.95

Comparative yearly lighting energy cost per 1000 lumens = \$5.00

ifl boulder
 THE LIGHT CENTER OF THE INDUSTRY
 INDEPENDENT TESTING LABORATORIES, INC. • 3386 LONGHORN ROAD, BOULDER, COLORADO 80502 • PHONE (303) 442-1255
 REPORT NUMBER: 31385 DATE: 10-25-85
 PREPARED FOR: LIGHTOLIER
 CATALOG NUMBER: WES1GFSVA232120S0G
 LUMINAIRE: METAL TROFFER, SYNTHETIC ENAMEL REFLECTOR, CLEAR
 PRISMATIC PLASTIC FLAT DOOR FRAME ASSEMBLY.
 BALLAST: ADVANCE CAT. NO. REL2P32-3C
 LAMP(S): TWO F32T12, EACH RATED 3150 LUMENS, 2425 FL.
 MOUNTING: RECESS
 TOTAL INPUT WATTS = 80.0 AT 120.0 VOLTS
 LUMEN TO CANDELA RATIO USED = 9.19
 THE 0 DEGREE PLANE IS PARALLEL WITH THE LAMPS.

CANDELA DISTRIBUTION

0.0	22.5	45.0	67.5	90.0	FLUX
0	1709	1709	1709	1709	163
5	1717	1709	1704	1703	1700
15	1664	1669	1673	1683	1686
25	1546	1555	1589	1616	1624
35	1354	1375	1424	1442	1446
45	1037	999	1018	1024	997
55	585	550	545	528	460
65	295	302	298	287	293
75	199	177	185	192	178
85	54	68	72	61	72
90	0	0	0	0	0

ZONAL LUMEN SUMMARY

ZONE	LUMENS	%LAMP	%FIXT
0-30	1367	21.77	35.6
0-40	2245	35.6	55.2
0-60	3506	55.7	86.2
0-90	4069	64.6	100.0
90-180	0	0.0	0.0
0-190	4069	64.6	100.0

TOTAL LUMINAIRE EFFICIENCY = 64.6 %
 TOTAL REFLECTANCE OF PAINT = 89.0 %
 CIE TYPE - DIRECT PLANE
 SPACING CRITERIA : 1 0-DEG 90-DEG
 SHIELDING ANGLES : 1.3 1.3
 LUMINOUS LENGTH : 146.000 10.000

LUMINANCE DATA IN FOOTLAMBERTS

ANGLE	AVERAGE	AVERAGE	MAXIMUM	MAXIMUM	MAX / AVERAGE	MAX / AVERAGE
IN DEG	0-DEG	90-DEG	0-DEG	90-DEG	0-DEG	90-DEG
0	1681.	1681.	2805.	2805.	1.7	1.7
45	1414.	1387.	1846.	2442.	1.3	1.8
55	1003.	785.	1310.	1254.	1.3	1.6
65	686.	482.	845.	947.	1.2	1.4
75	756.	476.	994.	836.	1.3	1.2
85	609.	812.	697.	812.	1.1	1.0

Checked: [Signature]
 Approved: [Signature]

THIS REPORT IS BASED ON PUBLISHED INDUSTRY PROCEDURES. FIELD PERFORMANCE MAY DIFFER FROM LABORATORY PERFORMANCE.

coefficients of utilization — zonal cavity method

	20			20			20		
	RF	RC	RW	RF	RC	RW	RF	RC	RW
1	71	68	66	64	62	61	61	60	59
2	65	61	57	57	55	52	55	53	51
3	60	55	50	52	48	45	50	47	45
4	56	49	44	47	43	40	45	42	39
5	51	44	39	42	38	35	41	37	34
6	48	40	35	38	34	31	37	33	30
7	44	36	31	35	30	27	34	30	27
8	41	32	27	31	27	24	30	26	23
9	37	29	24	28	24	21	27	23	20
10	35	27	22	26	21	18	25	21	18

visual comfort probability (VCP) average 100 fc; reflectances 80/50/20

room size	ceiling height				ceiling height					
	W	L	8.5	10.0	13.0	16.0	8.5	10.0	13.0	16.0
20	20	20	60	64	70	77	61	65	70	76
20	30	30	51	56	61	67	54	57	62	68
20	40	40	47	50	55	60	51	53	57	61
20	60	60	43	46	59	54	49	50	52	56
30	20	20	62	66	70	75	63	67	70	75
30	30	30	53	57	61	65	55	58	62	66
30	40	40	48	51	54	58	51	53	56	60
30	60	60	44	46	48	52	49	50	51	54
30	80	80	42	44	44	48	48	49	49	51
40	20	20	64	68	72	75	64	68	72	75
40	30	30	55	59	63	66	57	60	63	66
40	40	40	49	52	55	59	53	54	57	60
40	60	60	45	47	49	52	50	51	51	54
40	80	80	43	45	45	48	49	50	49	50
40	100	100	42	43	43	45	50	49	48	49
60	30	30	57	60	64	67	58	61	64	67
60	40	40	51	53	56	60	54	55	57	60
60	60	60	46	48	49	52	50	51	51	54
60	80	80	44	45	45	48	49	50	49	50
60	100	100	43	43	42	45	50	49	47	48
100	40	40	55	57	59	62	57	58	59	63
100	60	60	50	51	52	55	53	54	53	56
100	80	80	47	48	47	50	52	52	50	52
100	100	100	46	46	44	46	52	51	49	49

ORDERING INFORMATION

Explanation of Catalog Number. Example: WES1GFSVA232120S0GLR

WE CLEANGUARD WET LOCATION	S STATIC	1 FIXTURE WIDTH	CEILING TYPE: G= Grid (lay-in T bar) F=Flanged (overlap) Z spline and plaster frame	LENS FRAME: FS= Flat steel frame FA=Flat aluminum frame RA=Regressed aluminum frame	LAMP QUANTITY: 1 or 2 Lamps	VOLTAGE: 120 or 277	BALLAST TYPE: 2 Lamp Mag. T12 2 Lamp Elec. T8 LOL T8 Dimming *Instant Start Standard Other dimming options. Consult factory.	OPTIONS: Add appropriate suffix to catalog no., ie: (GLR)
--------------------------------------	--------------------	---------------------------	---	---	---------------------------------------	-------------------------------	--	---

OPTIONS & ACCESSORIES

- SPECIAL LENSES:** Substitute **VI** for **VA** (standard). 125" nominal pattern 12 with 6.8 oz. average weight per square foot.
- ACCESS PLATE:** Top wiring access plate is shipped with fixture as standard. When access plates are required in advance for wiring convenience, specify separately. Order Catalog Number: **ACP CSP**.
- CONTINUOUS ROW INSTALLATION:** For F type fixtures, half-width flanges are required between fixtures. Order Catalog Number: **1FC TRIM** (each joint).
- PLASTER FRAMES:** F type fixtures do not include plaster frames. For individual or continuous mounting, specify **PF14** universal frame per fixture.
- ELECTRICAL/WIRING OPTIONS:** Consult factory.
- SEISMIC HOLD-DOWN CLIP:** For type G troffers. SUFFIX: **2HD**.
- FUSING:** Internal fast-blow fusing. SUFFIX: **GLR**.
Internal slow-blow fusing. SUFFIX: **GMF**.
- RADIO INTERFERENCE FILTER** 120 or 277 volt, 50 or 60 Hz. One per fixture is standard. SUFFIX: **RF**.
- DRYWALL KIT:** Order Catalog Number: **FK91X4**. Request Folio OA30-10.
- CHICAGO PLENUM:** SUFFIX: **CP**.

SPECIFICATIONS

PERFORMANCE: In an installation of 2 lamp 32W luminaires in a room cavity ratio of 1, with reflectance of 80% ceiling, 50% wall, 20% floor, the C.U. shall not be less than .68. To prevent glare the VCP shall not be less than 46 either length-

wise or crosswise (at 100fc level) and the average brightness at 65° shall not exceed 682 footlamberts. To control veiling reflections, luminaire output in the 30°-90° zone shall not be less than 66.4%.

MATERIALS: Chassis parts are die-formed code gauge cold rolled steel. Housing is contoured for rigidity with all edges turned up for safe handling. **Lens frame**—(FS) flat full-size steel frame, (FA) flat full-size extruded aluminum frame, (RA) regressed full-size extruded aluminum frame.

FINISH: Chassis exterior—black baked polyester enamel. Cavity—white baked polyester enamel minimum 86% reflectance. Phosphate undercoating.

LENSES: VA (standard) extruded virgin acrylic, 3/16" square based female cones, running 45° to the panel edge, .095" nominal thickness (similar to pattern 12).

ELECTRICAL: Thermally protected class "P" ballast C.B.M. approved, non PCB. If K.O. is within 3" of ballast, use wire suitable for at least 90°.

LABELS: I.B.E.W./UL and C-UL.

Job Information	Type:
Lightolier a Genlyte Thomas Company Technical Information: (978) 657-7600 • Fax (978) 658-0595 631 Airport Road, Fall River, MA 02720 • (508) 679-8131 • Fax (508) 674-4710 We reserve the right to change details of design, materials and finish. © 2002 Genlyte Thomas Group LLC (Lightolier Division) A0902	www.lightolier.com

